

# Santas Secret Boots®

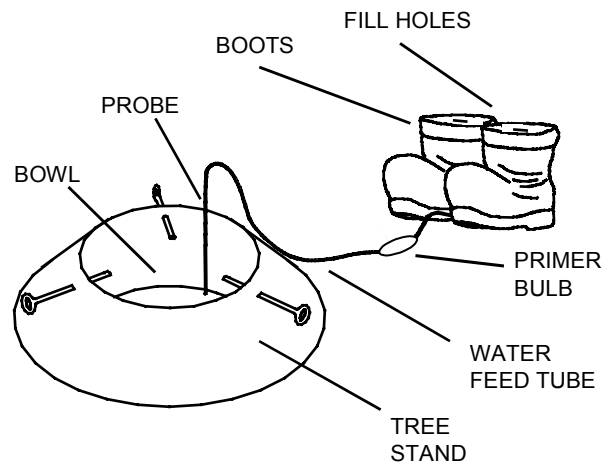
## Easy Automatic Christmas Tree Watering System

### 1-2-3 QUICK START INSTRUCTIONS

- 1 Place** Santa's Secret Boots level\* on the floor 3-feet away from Tree Stand and Insert PROBE completely into TREE STAND BOWL.
- 2 Fill\*\*** each BOOT with up to 1-gallon of warm water using a pitcher.
- 3 Start** Auto-Fill Cycle by squeezing PRIMER BULB five (5) times or more to remove all air bubbles from FEED TUBE and BULB. Tilt PRIMER BULB upward as necessary. Repeat once again in 24-hours.

### STORAGE & CARE

- 1 Drain** boots by placing the probe near a drain with boots placed higher. Wait one (1) hour, then squeeze bulb repeatedly till boots are emptied.
- 2 Store** empty boots in a cool dry location using original carton and bag. DO NOT seal bag completely. Allow air into bag to prevent mildew.



R5.0

\* Recommended for Tree Stands with water bowls greater than 5-inches deep resting directly on the floor. See reverse side for details

\*\* **IMPORTANT!!! READ BELOW** to prevent any accidental water spillage. Water level height in boots and tree stand will always remain equal.

1. **NEVER** fill or place boots higher than fill-level recommended for tree stand.
2. **NEVER** fill tree stand higher than fill-level recommended for boots.

### WATERING SCHEDULE TABLE - Tree Height / Water Days

Refill or add more boots as indicated to increase watering days.	Height	0-7 days	7-14 days	14-21 days
	3 ft – 6 ft	■	■ ■	■ ■ ■
6 ft – 9 ft	■ ■	■ ■ ■ ■	■ ■ ■ ■ ■	■ ■ ■ ■ ■ ■
9 ft – 12 ft	■ ■ ■	■ ■ ■ ■ ■	■ ■ ■ ■ ■ ■	■ ■ ■ ■ ■ ■ ■

■ = Santas Secret Boot Pair (as recommended for tree size)

www.santas-secret.com

## Limited Warranty

**Neutek** hereby warrants this product for two (2) years from the date of purchase against defects in materials and workmanship in normal use under the conditions in which it is intended. Buyer agrees that if the product proves to be defective, **Neutek** will only be obligated to replace or repair such product at the option of **Neutek**. **Neutek** shall not otherwise be liable for loss or damages, whether direct, indirect, special, incidental or consequential, regardless of the legal theory asserted, including negligence, warranty or strict liability. All shipping costs shall be reimbursed to the buyer at the option of **Neutek**.

All warranty claims must be sent in writing or E-mail to **Neutek** along with a copy of the original dated receipt of purchase and defective merchandise. To expedite and prevent damage in transit, please include return address and pack securely.

SECRET; P.O. Box 1061; Mesa, AZ 85211-1061

www.santas-secret.com

# Santas Secret Gift™

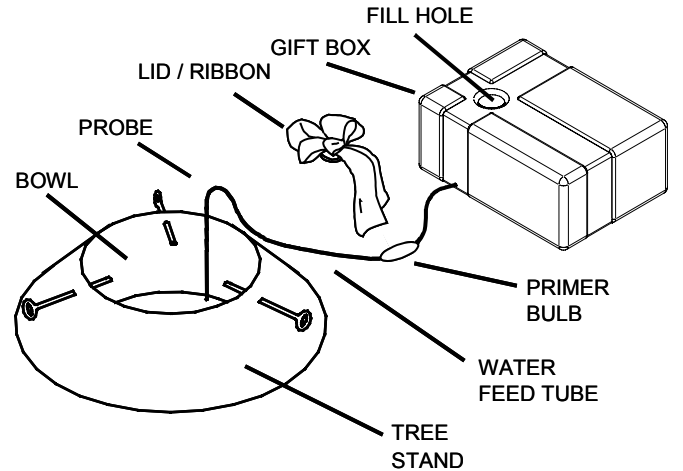
## Easy Automatic Christmas Tree Watering System

### 1-2-3 QUICK START INSTRUCTIONS

- 1 **Place** Santa's Secret Gift level\* on the floor 3-feet away from Tree Stand and Insert PROBE completely into TREE STAND BOWL.
- 2 **Fill\*\*** Gift Box with up to 2-gallons of warm water using a pitcher.
- 3 **Start** Auto-Fill Cycle by squeezing PRIMER BULB five (5) times or more to remove all air bubbles from FEED TUBE and BULB. Tilt PRIMER BULB upward as necessary. Repeat once again in 24-hours.

### STORAGE & CARE

- 1 **Drain** Gift Box by placing the probe near a drain with box placed higher. Wait one (1) hour, then squeeze bulb repeatedly till gift box is emptied.
- 2 **Store** empty Gift Box in a cool dry location using original carton and bag. DO NOT seal bag completely. Allow air into bag to prevent mildew.



R5.0

\* Recommended for Tree Stands with water bowls greater than 5-inches deep resting directly on the floor. See reverse side for details

\*\* **IMPORTANT!!!** READ BELOW to prevent any accidental water spillage. Water level height in gift box and tree stand will always remain equal.

3. **NEVER** fill or place gift box higher than fill-level recommended for tree stand.
4. **NEVER** fill tree stand higher than fill-level recommended for gift box.

**WATERING SCHEDULE TABLE - Tree Height / Water Days**

Refill or add more gift boxes as indicated to increase watering days.	Height	0-7 days	7-14 days	14-21 days
	3 ft – 6 ft	☐	☐	☐☐
	6 ft – 9 ft	☐	☐☐	☐☐☐
	9 ft – 12 ft	☐☐	☐☐☐	☐☐☐☐

☐ = Santas Secret Gift (as recommended for tree size)

www.santas-secret.com

## Limited Warranty

**Neutek** hereby warrants this product for two (2) years from the date of purchase against defects in materials and workmanship in normal use under the conditions in which it is intended. Buyer agrees that if the product proves to be defective, **Neutek** will only be obligated to replace or repair such product at the option of **Neutek**. **Neutek** shall not otherwise be liable for loss or damages, whether direct, indirect, special, incidental or consequential, regardless of the legal theory asserted, including negligence, warranty or strict liability. All shipping costs shall be reimbursed to the buyer at the option of **Neutek**.

All warranty claims must be sent in writing or E-mail to **Neutek** along with a copy of the original dated receipt of purchase and defective merchandise. To expedite and prevent damage in transit, please include return address and pack securely.

SECRET; P.O. Box 1061; Mesa, AZ 85211-1061

www.santas-secret.com